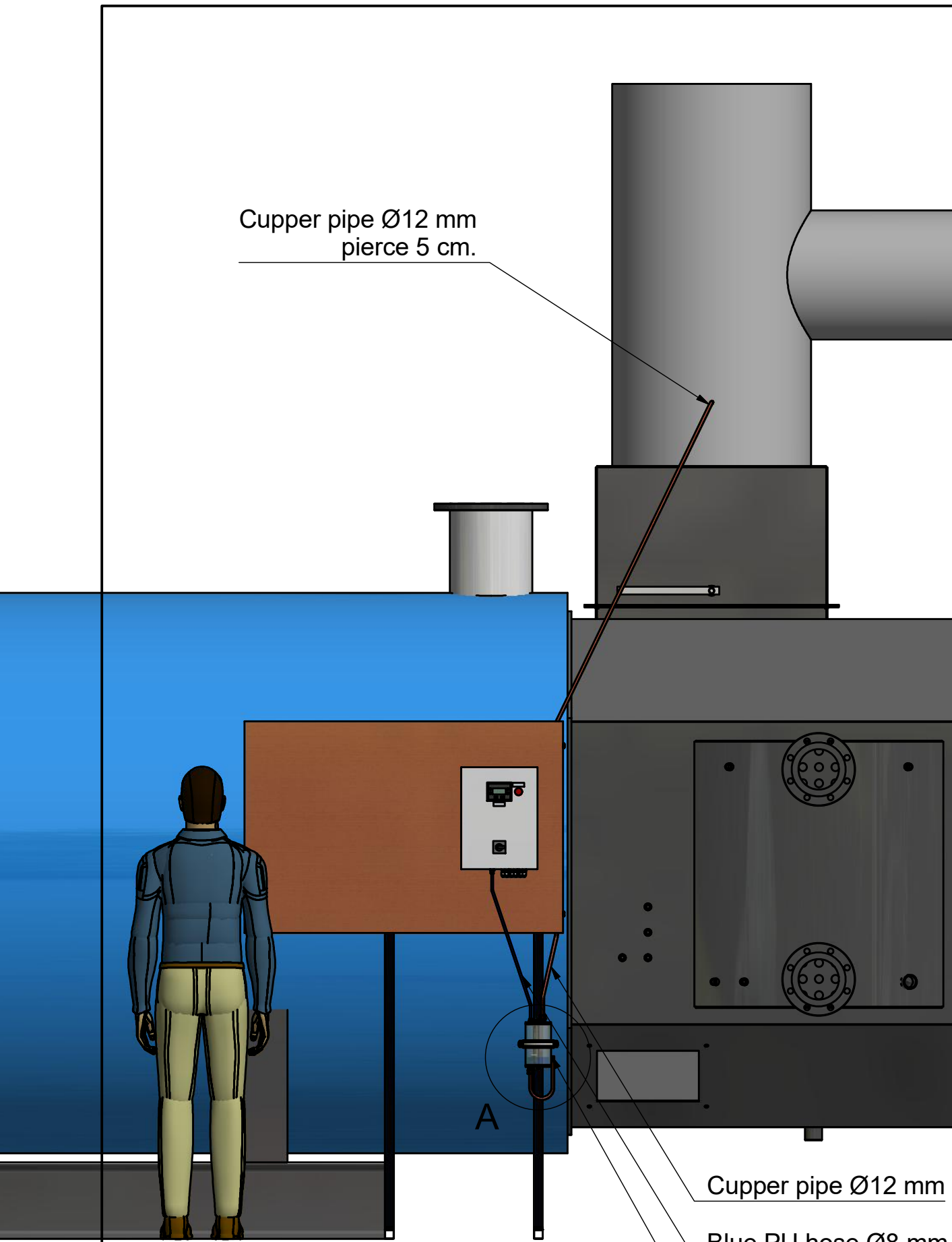


Copper pipe Ø12 mm
piece 5 cm.



Install the CO detector as close as possible near the CO2 fan.

The copper pipe may have a maximum length of 10 meter.

The copper pipe must drain so that there can no water remain in it.

The water separator must be filled with water to the top of the water lock.

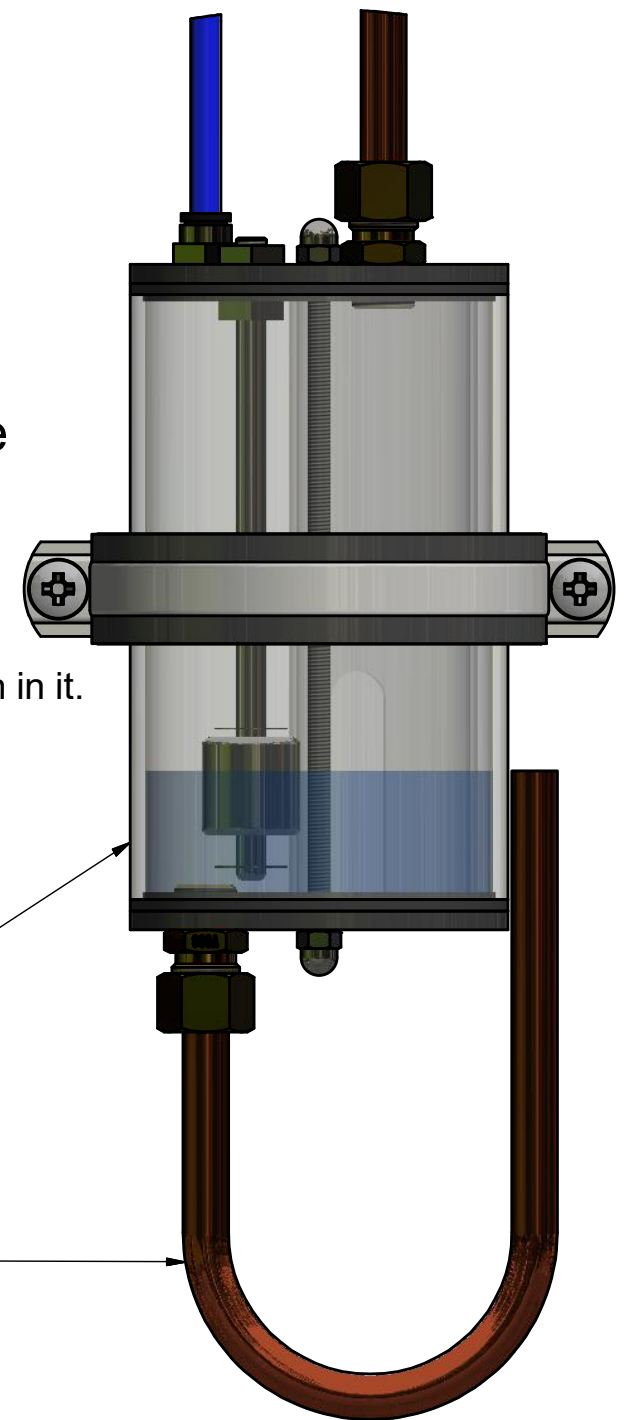
Water lock.

Copper pipe Ø12 mm

Blue PU hose Ø8 mm

Water separator

A (1 : 2)



REV	REVISION DATE	REVISION REASON
-		

Project-/drawingnr.:	VCD2 ENG
Drawed:	RV
	27-2-2018

Description:	Mounting VCD2
Format	A3
Scale	1 : 20
Drawingnr.	Opstelling VCD2 ENG.dwg

