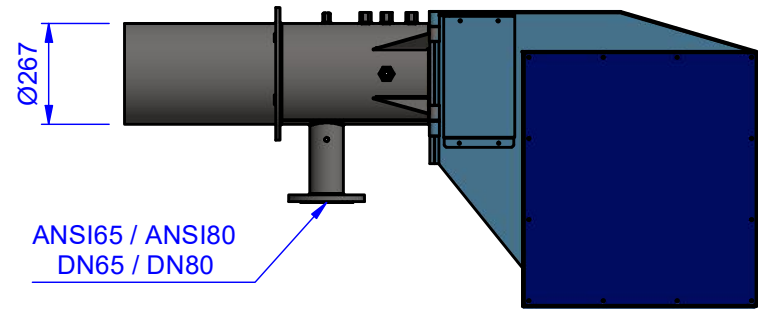
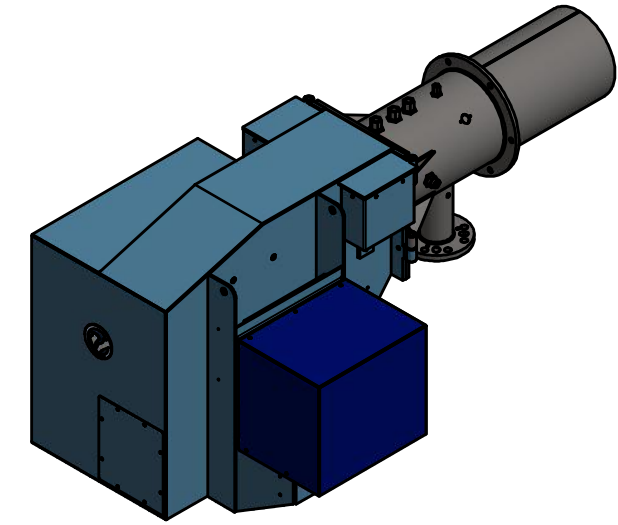
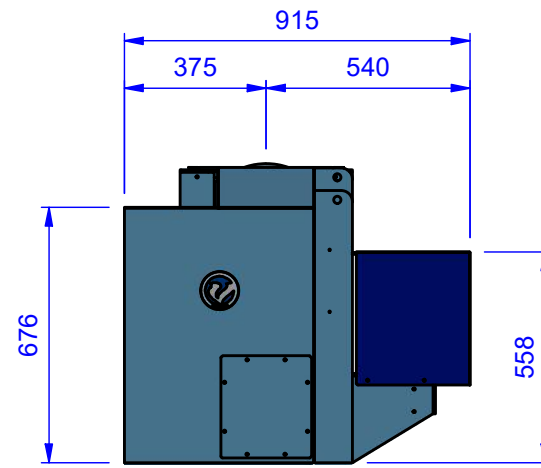


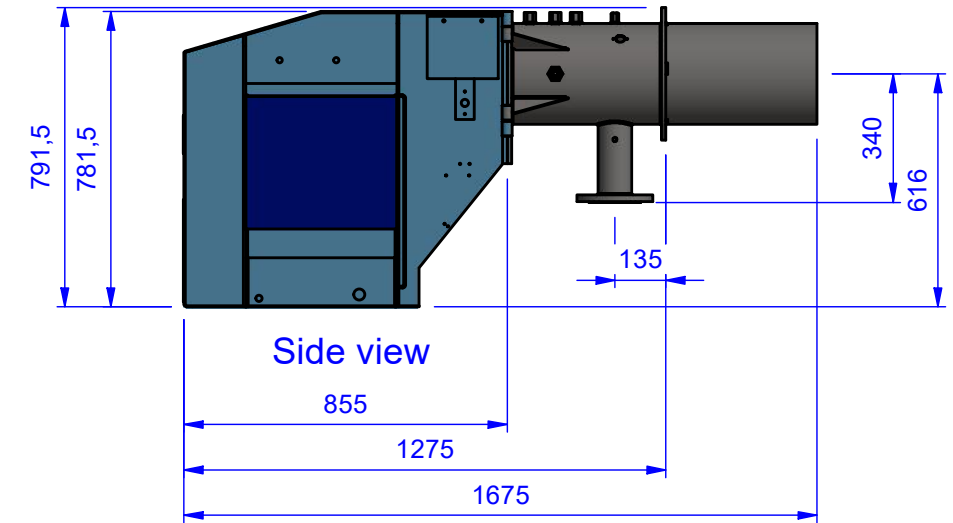
Top view



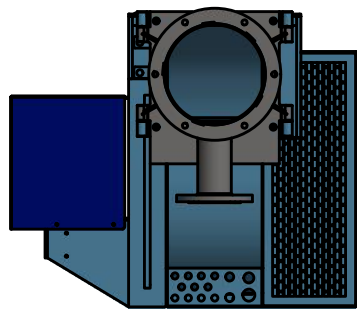
Side view



Front view



Side view



Back view

Project-/drawing number: <b>VGI_VGOI_VOI-200</b>		Description: VGI_VGOI_VOI-200 burner dimensions	
Status:		Drawn by: RV 19-6-2019	Form A3
Mass: ±230 kg			
Material-/color:		Revision: A 17-02-2020	
Treatment:			

